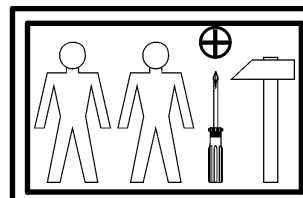
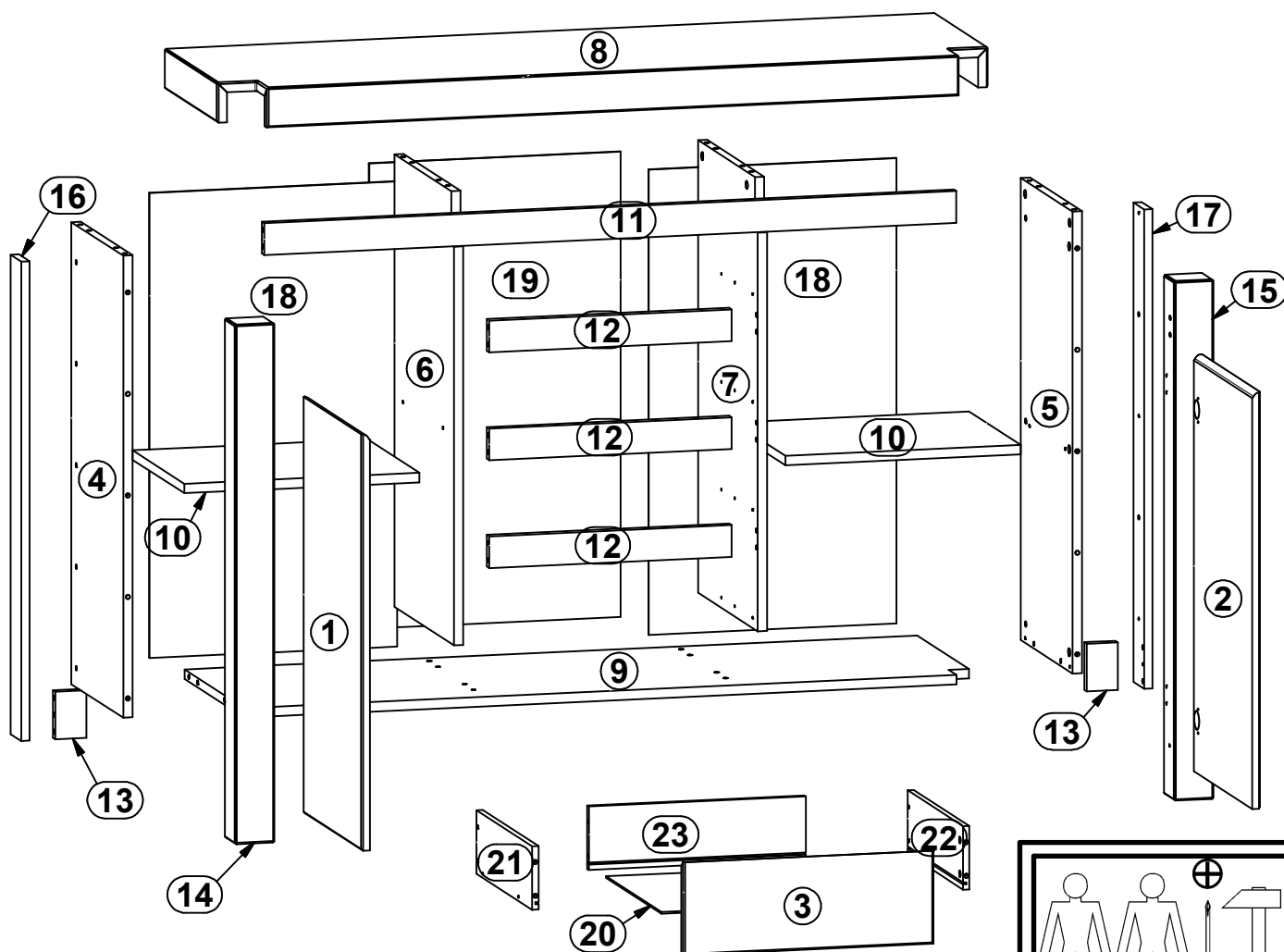
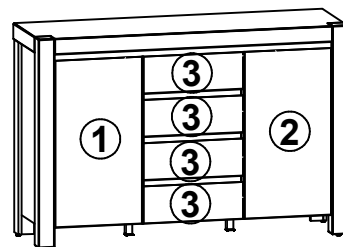
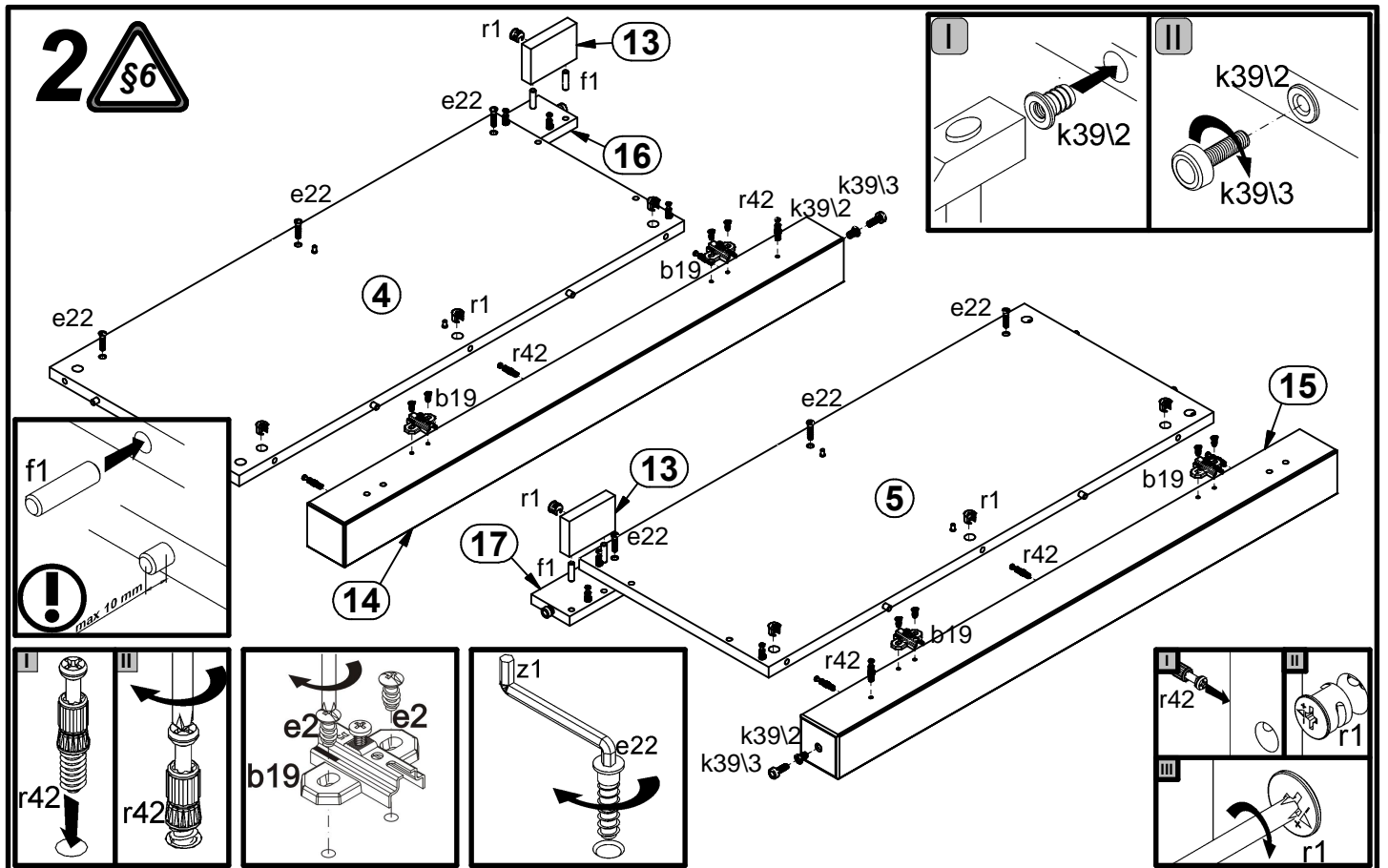
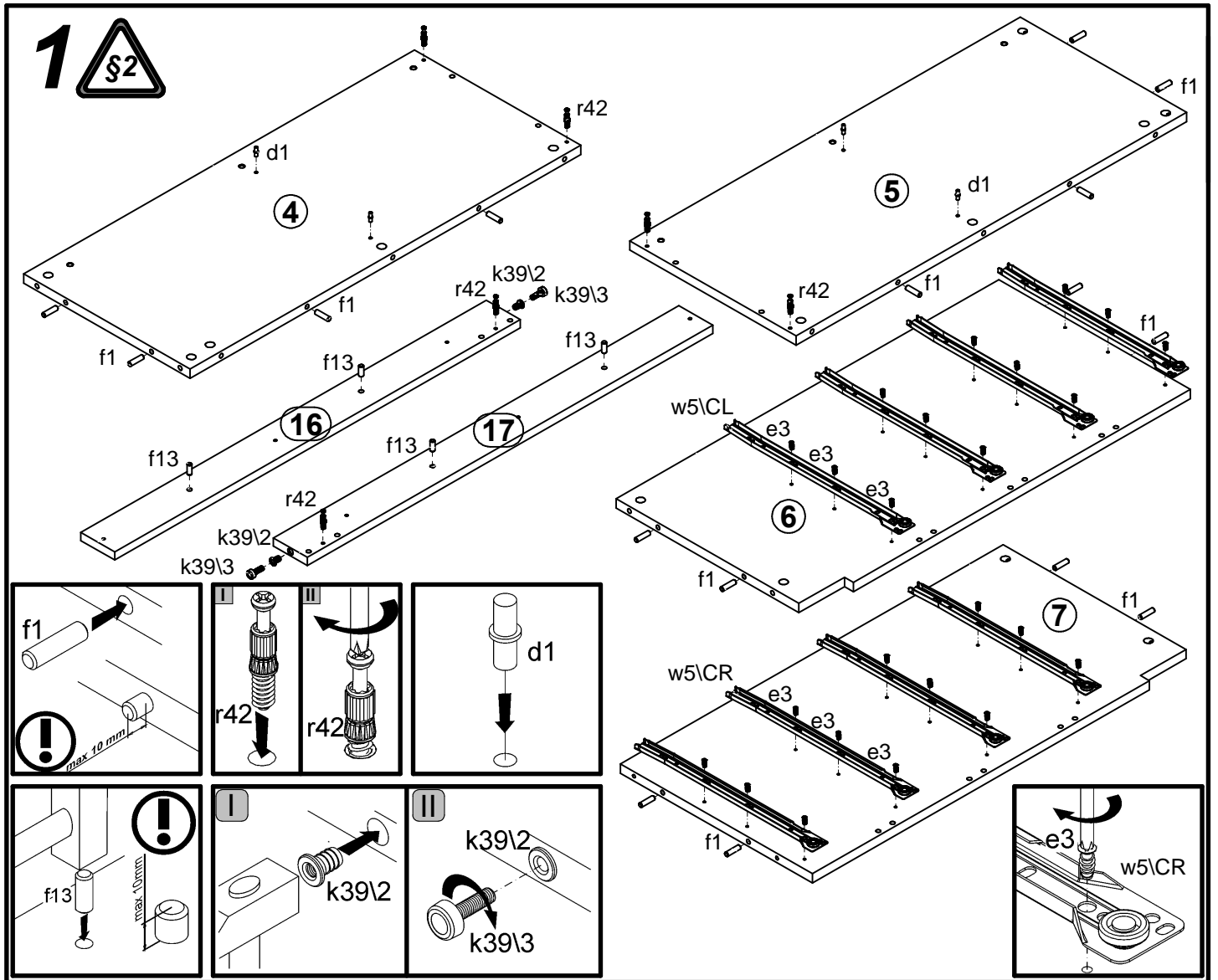


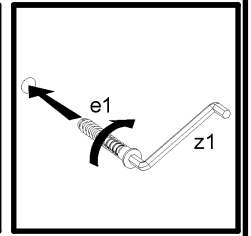
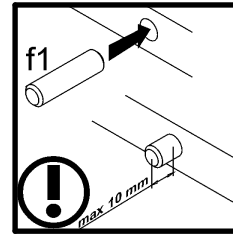
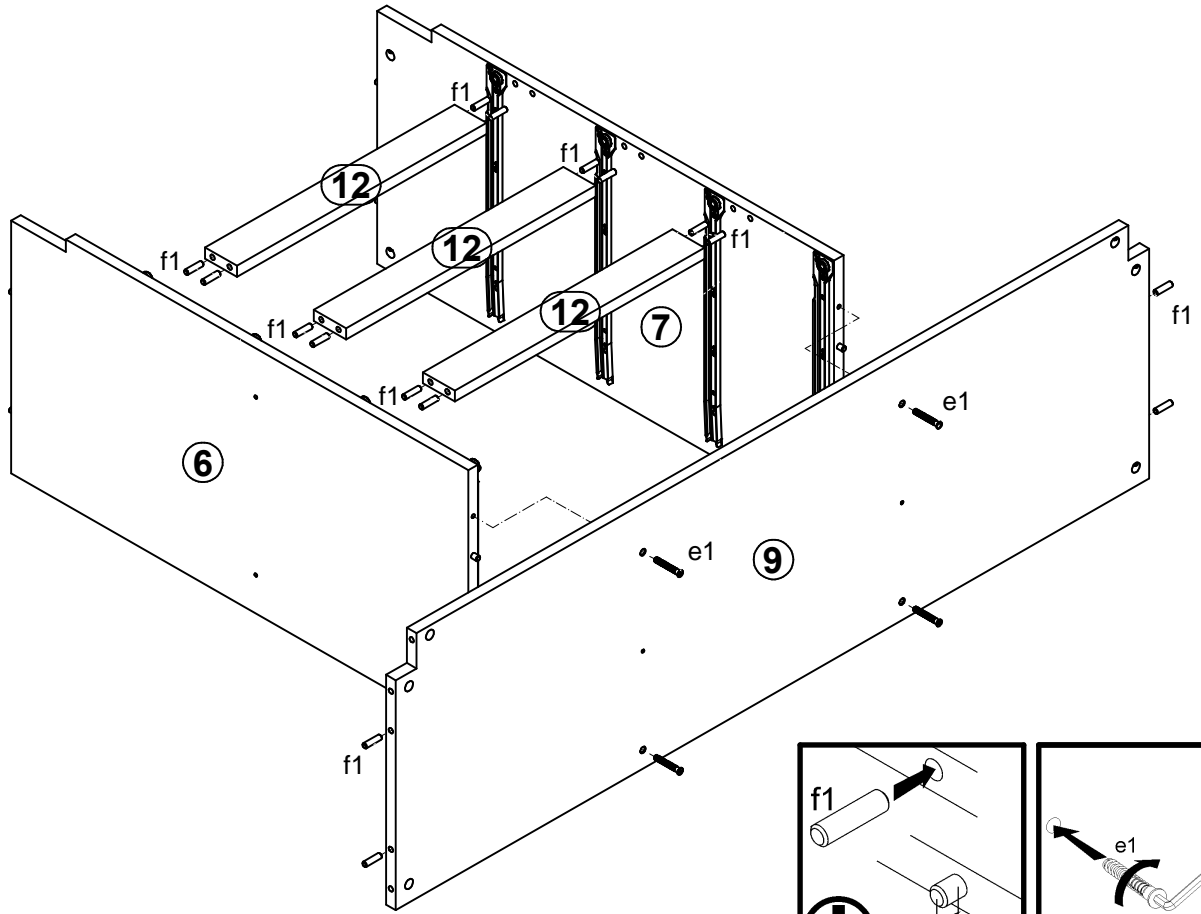
A	B	C	D	A	B	C	D		
1	S83-003	788	420	4/5	13	S83-575	90	60	3/5
2	S83-004	788	420	4/5	14	S83-576	983	76	3/5
3	S83-005	482	176	5/5	15	S83-577	983	76	3/5
4	S83-103	874	372	1/5	16	S83-578	907	76	3/5
5	S83-104	874	372	1/5	17	S83-579	907	76	3/5
6	S83-105	856	429	1/5	18	S83-902	880	477	1/5
7	S83-106	856	429	1/5	19	S83-903	880	484	1/5
8	S83-202	1485	452	2/5	20	S83-904	429	398	1/5
9	S83-302	1411	429	2/5	21	ZS1-517	400	120	1/5
10	S83-303	453	371	1/5	22	ZS1-518	400	120	1/5
11	S83-402	1333	60	2/5	23	ZS1-6524	418	120	1/5
12	S83-403	467	60	2/5					



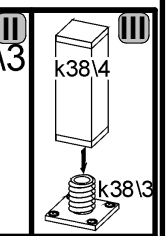
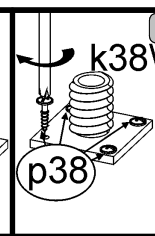
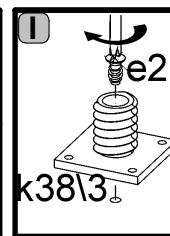
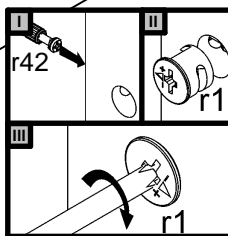
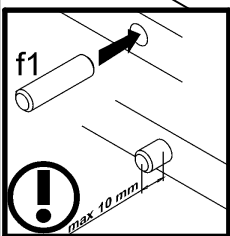
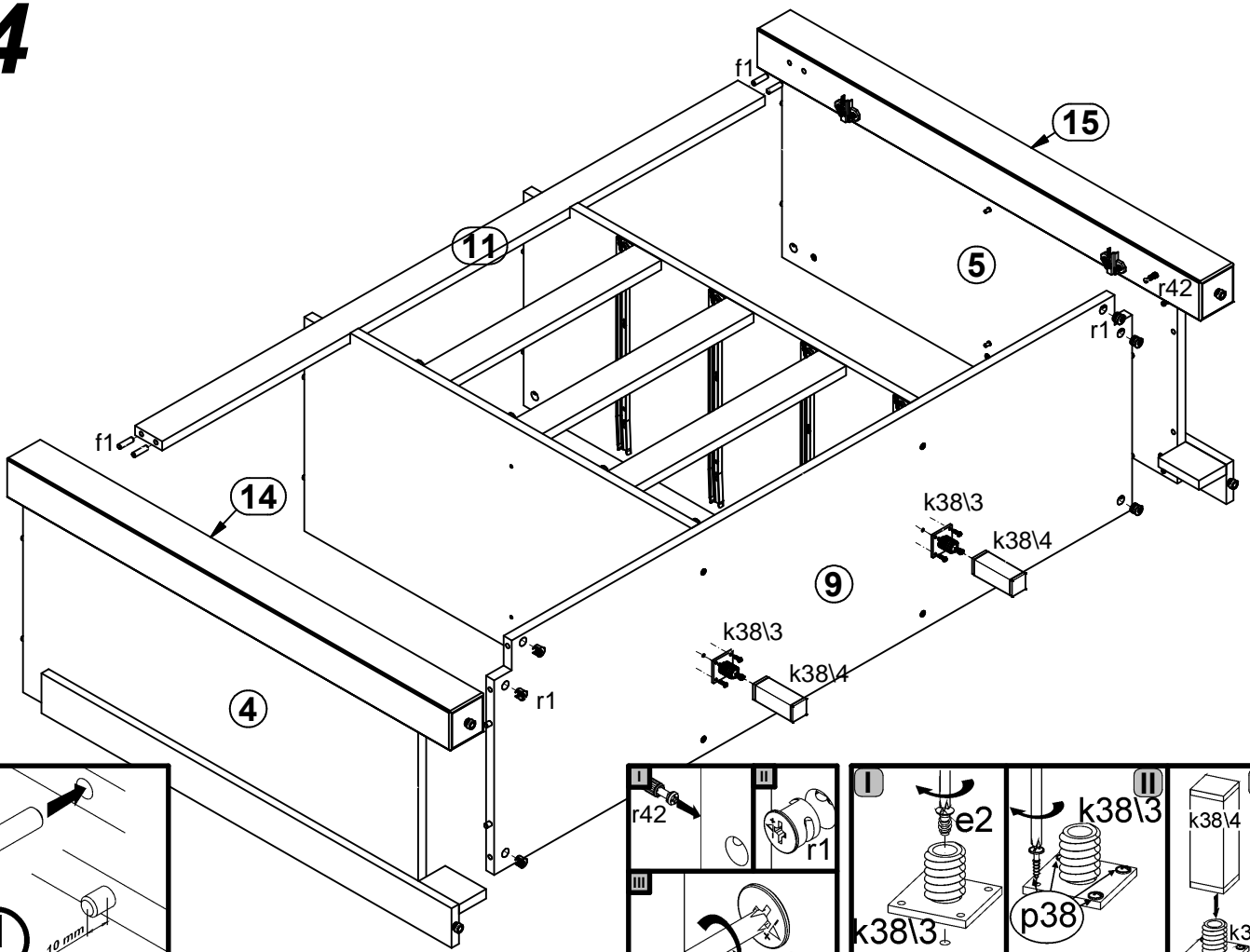
4x a43	4x b19	8x φ5x17 mm d1	4x φ7x50 mm e1	16x φ5x9 mm e19	10x φ6,3x13 mm e2	6x φ7x28 mm e22	24x φ6x13 mm e3	40x φ8x30 mm f1
4x φ8x20 mm f13	16x φ6,5x40 mm f25	2x k38/3	2x k38/4	4x M6φ9x14 mm k39/2	4x M6/22mm k39/3	85x l1	8x φ3,5x16 mm p38	8x φ3,5x15 mm p51
22x φ1,5x12mm #16 r1	16x φ12x10,5mm #12 r15	38x r42	4x s1	8x ø16 s2	4x 400 mm w5/CL	4x 400 mm w5/CR	4x 400 mm w5/DL	4x 400 mm w5/DR
1x z1	1x n26/1	1x φ3,5x16 mm p38						



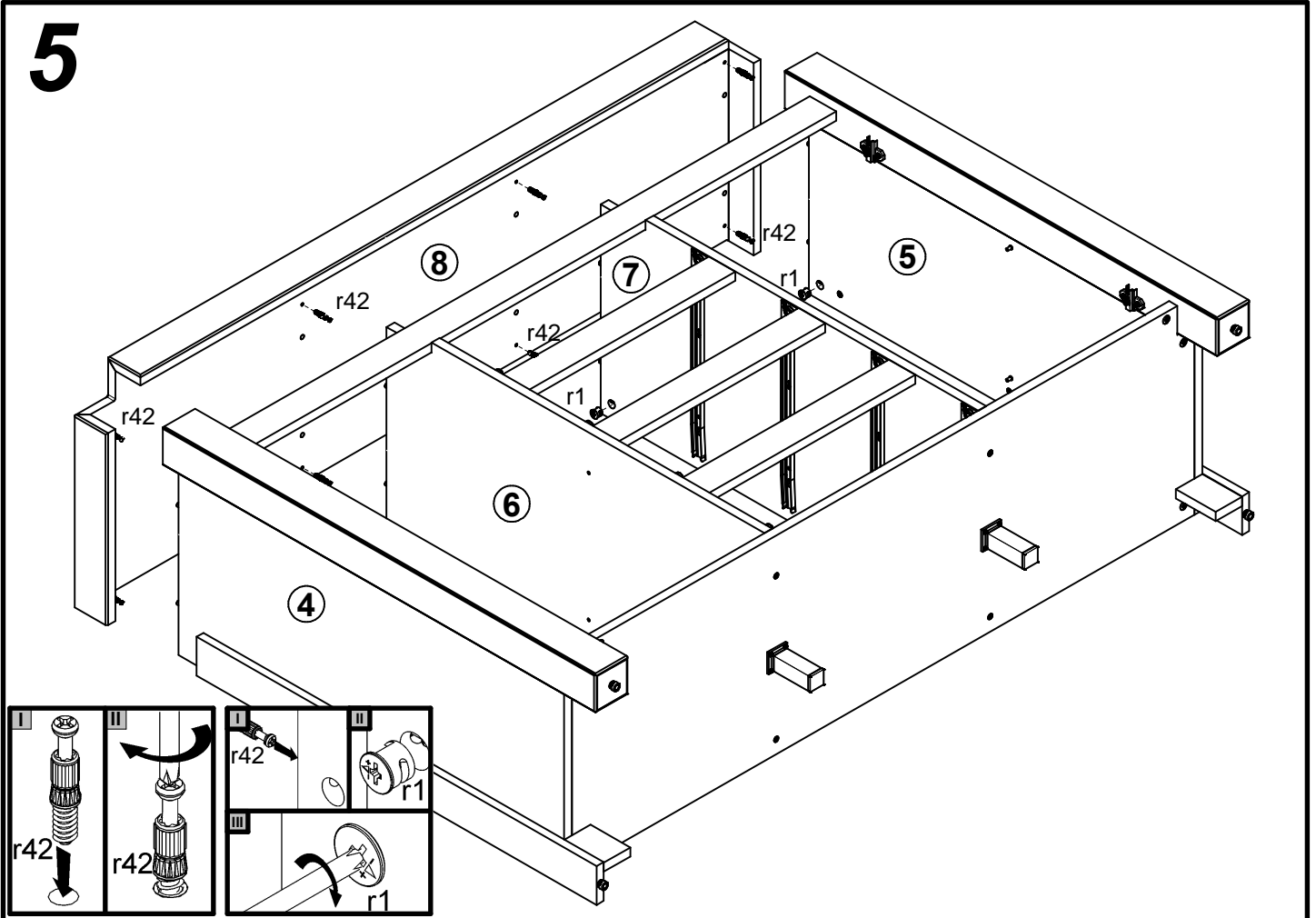
3



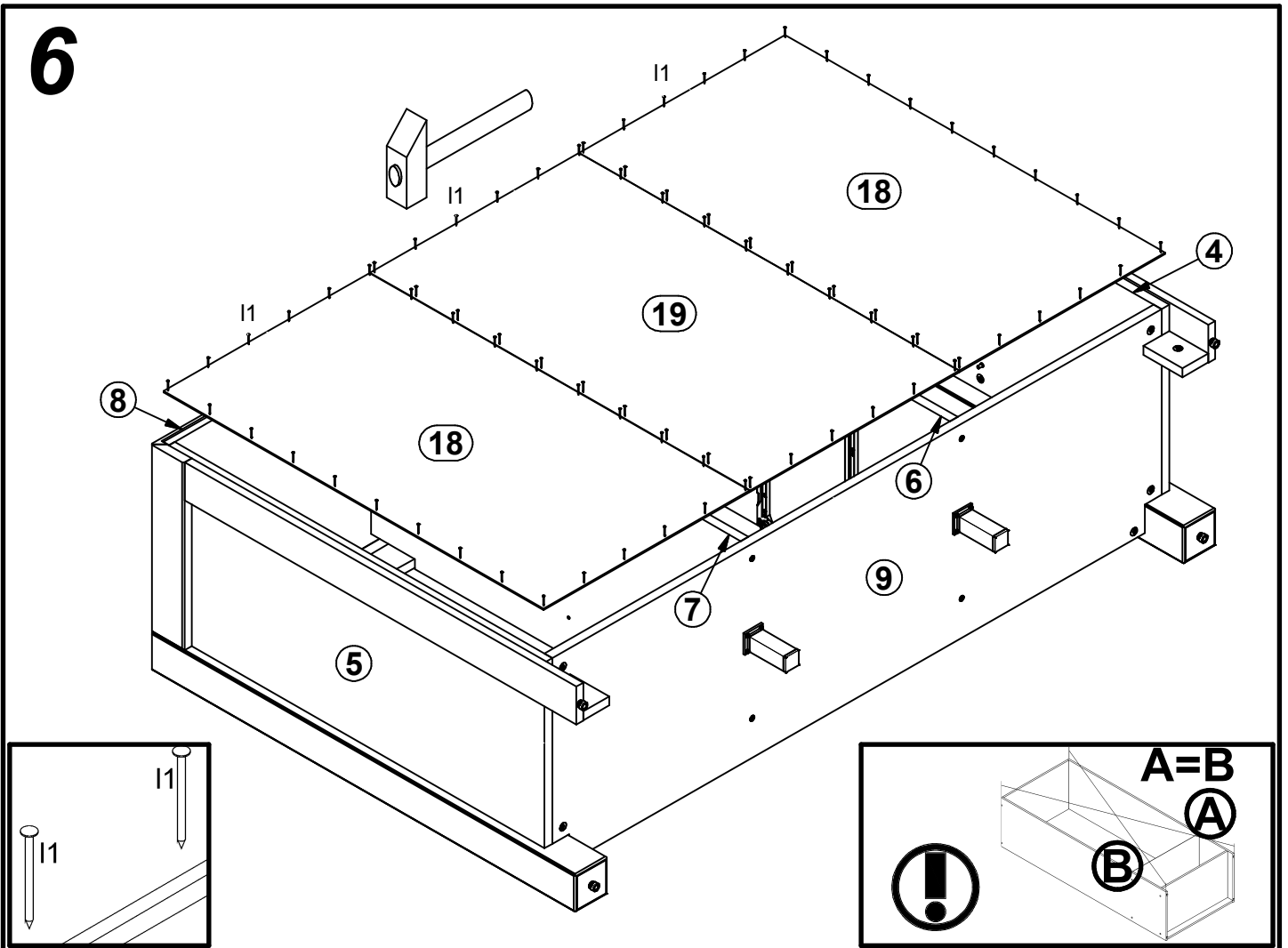
4



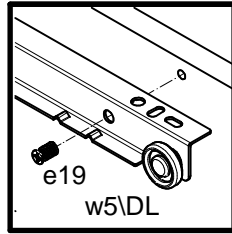
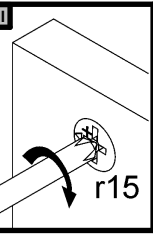
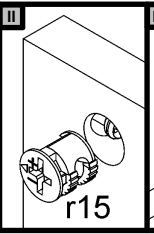
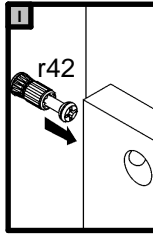
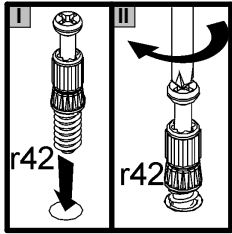
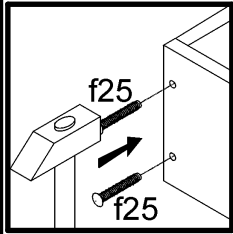
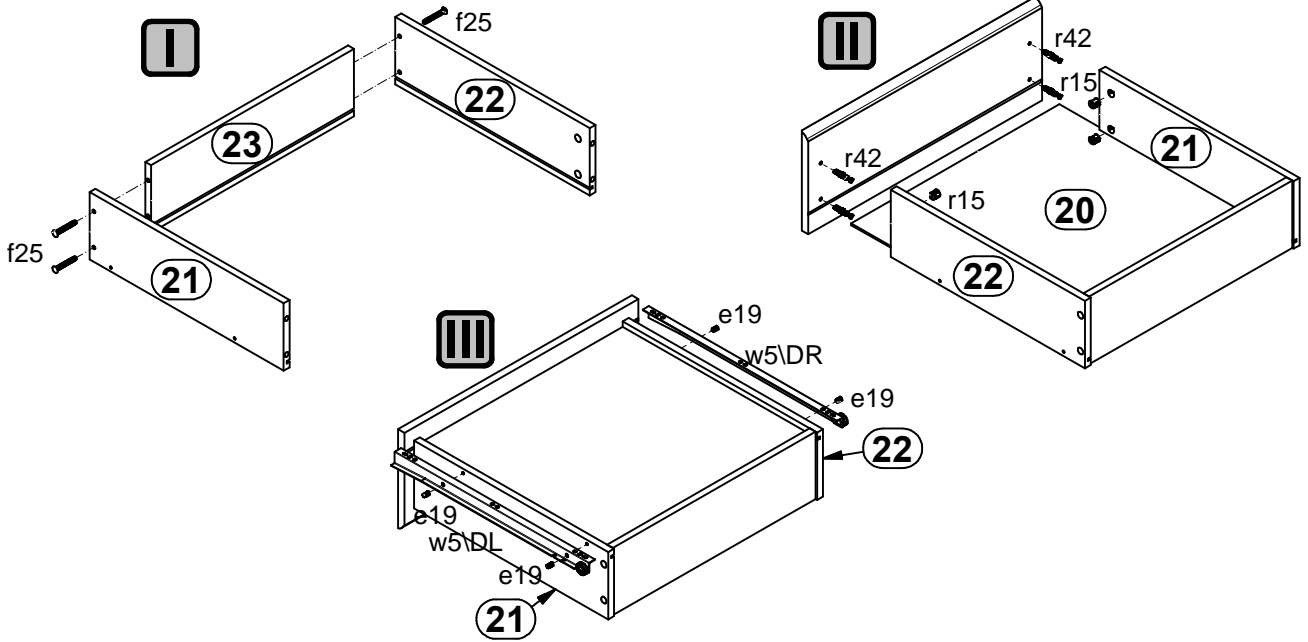
5



6



7



8

